

Snap-Action Electric Contact Pressure Gauge

Product Overview

Snap-Action Electrical contacts can be fitted to all 100mm and 160mm diameter instruments of our range and give the advantage of indication as well as control or alarm.

Snap-Action Electric contacts pressure gauge is widely used to petrochemical, chemical, metallurgical electric power fields and so forth, or applied to measurement pressure of fluid medium in the machine.

Usually, electric contact pressure gauge matches with relevant electrical apparatus, for instance, relay and contactor.

The instrument is consisted of measurement system, indicating system, electric contact parts system, case, adjustment system, junction box (socket) and otherwise.

The principle is that under the conditions of medium pressure, bourdon tube will show the measured value in the dial by gear wheel equipment. In the meanwhile, the pointer of instrument will make dynamic contact touch or cut with static one (upper limits or lower limits), leading to the cut and turn-on of control system for the purpose of automatic control and alarm.



Specification

- Size: 100,150
- Indicating Accuracy: 1.6%,
- Set Accuracy: 4%
- Electric contacts quantity: 2
- Max working voltage: AC 380V or DC220V
- Max Current: 1Amp
- Contact Power:30VA
- Electric Contact: 2 NO,2NC,1NO+1NC
- Connection: M20*1.5,1/8NPT,1/4NPT,1/2NPT.,etc.
- Glass: Safety explosion-proof glass
- Dial: Black word and white dial.
- Temperature Effect: $\leq 0.6\%/10\text{ }^{\circ}\text{C}$ (reference temperature $20\pm 5^{\circ}\text{C}$)
- Dual scales available

Model Selection

Table1

Item	Code	Description
Product	YX	Pressure Gauge with Contact Switch
Function1	C	Snap-Action Electric Contact
Function 2	F	Stainless steel material
	N	Liquid filled(anti-vibration)
	FN	Stainless steel material & liquid filled(anti-vibration)
	A	Used to measure ammonia or other mixed medium
Diameter	100	100mm
	150	150mm
Mounting	AO	Bottom mounting
	AH	Bottom mounting with back flange
	ZO	Back mounting
	ZT	Back mounting with front flange
	BO	Lower back mounting
	S	Others
Connection	C1	Thread M14×1.5
	C2	Thread M20×1.5
	C3	Thread 1/4NPT
	C4	Thread 1/2NPT
	Cx	Others
Measuring Range	M***	Refer to range table

Measuring Range

Table2

Table of Ranges					
Code	Ranges	Code	Ranges	Code	Ranges
M500	-0.1~0MPa	M010	0.06MPa	M160	2.5MPa
M510	-0.1~0.06MPa	M030	0.1MPa	M180	4MPa
M520	-0.1~0.15MPa	M040	0.16Mpa	M200	6MPa
M530	-0.1~0.3MPa	M060	0.25MPa	M220	10MPa
M540	-0.1~0.5MPa	M080	0.4MPa	M230	16Mpa
M550	-0.1~0.9MPa	M100	0.6MPa	M240	25MPa
M560	-0.1~1.5 MPa	M120	1MPa	M270	40Mpa
M570	-0.1~2.4 MPa	M140	1.6MPa	M280	60Mpa

Note: Unit option: psi,bar,mmHg.....

Snap-action Electric Contact with Diaphragm Seal

Normal electric contact gauges combine with a separator (diaphragm seal), being electric contact

diaphragm pressure gauge, accommodates strongly corrosive media, viscous & crystallographic media.

Model remark: Model of electric contact + Model of chemical seals. See “Connectors” and “Diaphragm seal” catalog.

Dimensions: unit mm

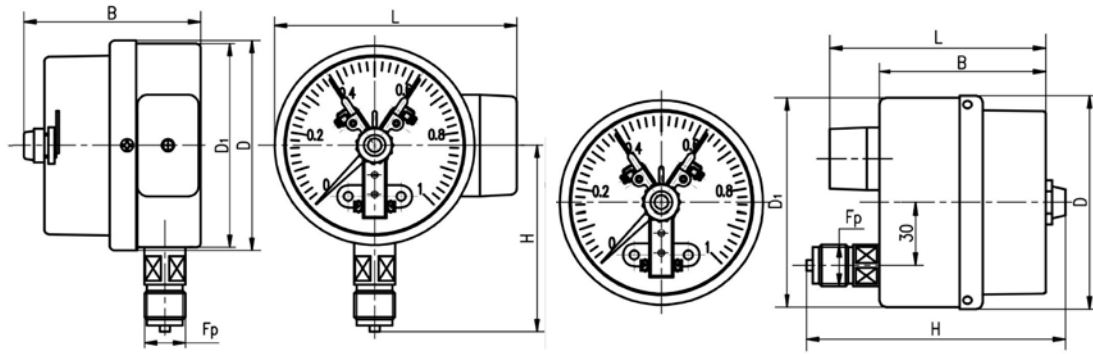


Table3

Type code	D	D1	B	H	L	Fp
YXC-100AO	102	100	85	91/88	120	M20*1.5/NPT1/2
YXC-100BO	102	100	89.5	124.5/121.5	104	M20*1.5/NPT1/2
YXC-150AO	150	148	86.5	128/125	170	M20*1.5/NPT1/2